

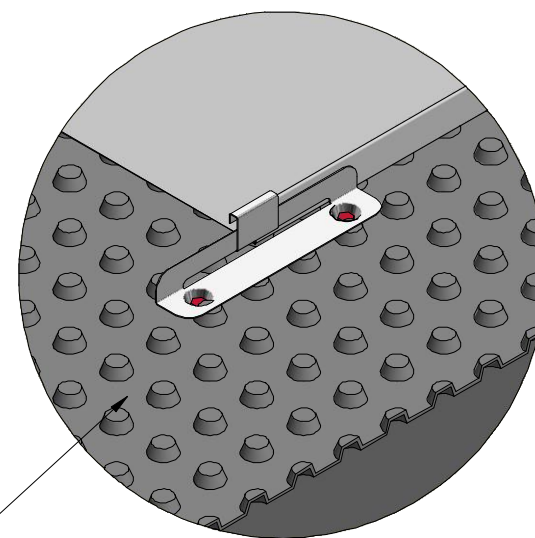
Zink-tag (by others).

Delta-hafte (by others).

Ark. ref.:
Ing. ref.:



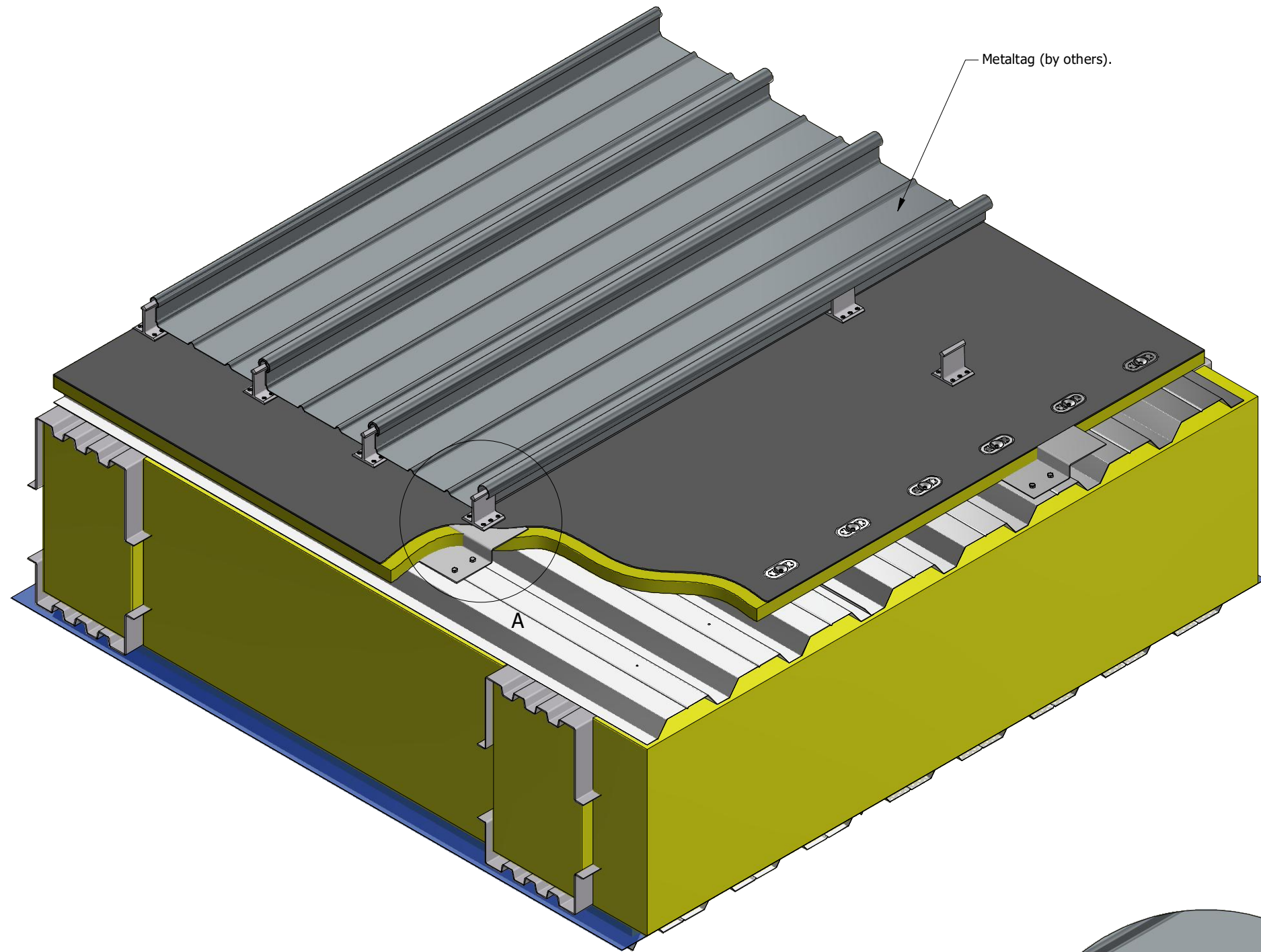
A (1 : 4)



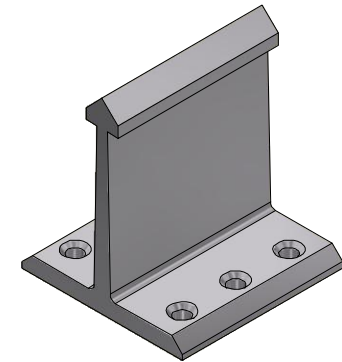
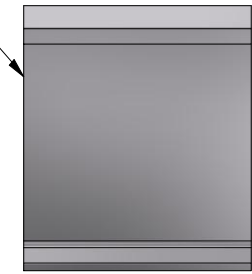
Strukturmåtte (by others).

D		
C		
B		
A		
Tegning godkendes for:		Sign.:
		Dato:
 SkanDek Tagelement A/S Danmarksvej 8 DK-8660 Skanderborg Mob: +45 40 52 58 00 E-mail: skandek@skandek.dk Website: www.skandek.dk		
Sag/Project:		
Ordrenr./Order number:	Vægt i kg/Weight in kg.:	
Tegner/Responsible: rs	Element nr.:	
Tegningsdato/Drawing date: 21-06-2023		
Leveringsadr. / Delivery addr.:		
By / City:		
© SkanDek Tagelement A/S (SkanDek) This drawing and all rights belong to SkanDek. Any use beyond the purposes for which the drawing is created and/or transfer to third parties can only happen with SkanDek's written consent. Violation of the above text can lead to damages liability.		

Ark. ref.:
Ing. ref.:

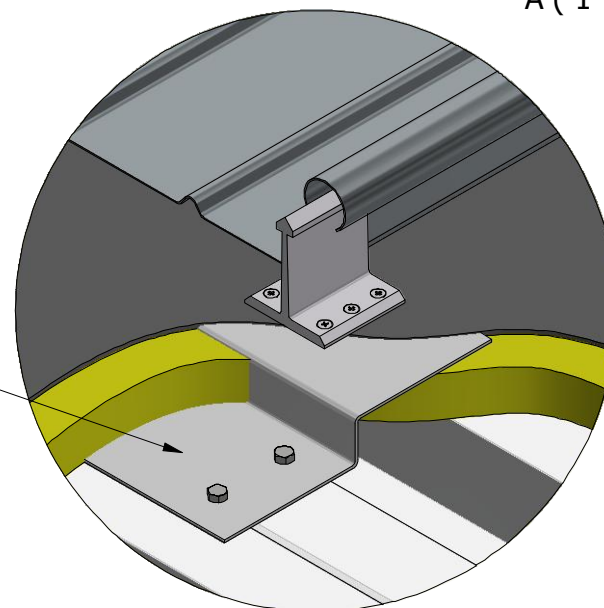


Glide-hafte (by others).



A (1 : 4)

Z-profil på tagelement.
(ikke på Hellenen)



D		
C		
B		
A		
Tegning godkendes for:		Sign.:
		Dato:
		SkanDek Tagelement A/S Danmarksvej 8 DK-8660 Skanderborg Mob: +45 40 52 58 00 E-mail: skandek@skandek.dk Website: www.skandek.dk
Sag/Project: Beklædning		
Ordrenr./Order number: 1087	Vægt i kg/Weight in kg.:	
Tegner/Responsible: rs	Element nr.:	
Tegningsdato/Drawing date: 21-06-2023		
Leveringsadr. / Delivery addr.:		
By / City:		
<small>© SkanDek Tagelement A/S (SkanDek) This drawing and all rights belong to SkanDek. Any use beyond the purposes for which the drawing is created and/or transfer to third parties can only happen with SkanDek's written consent. Violation of the above text can lead to damages liability.</small>		